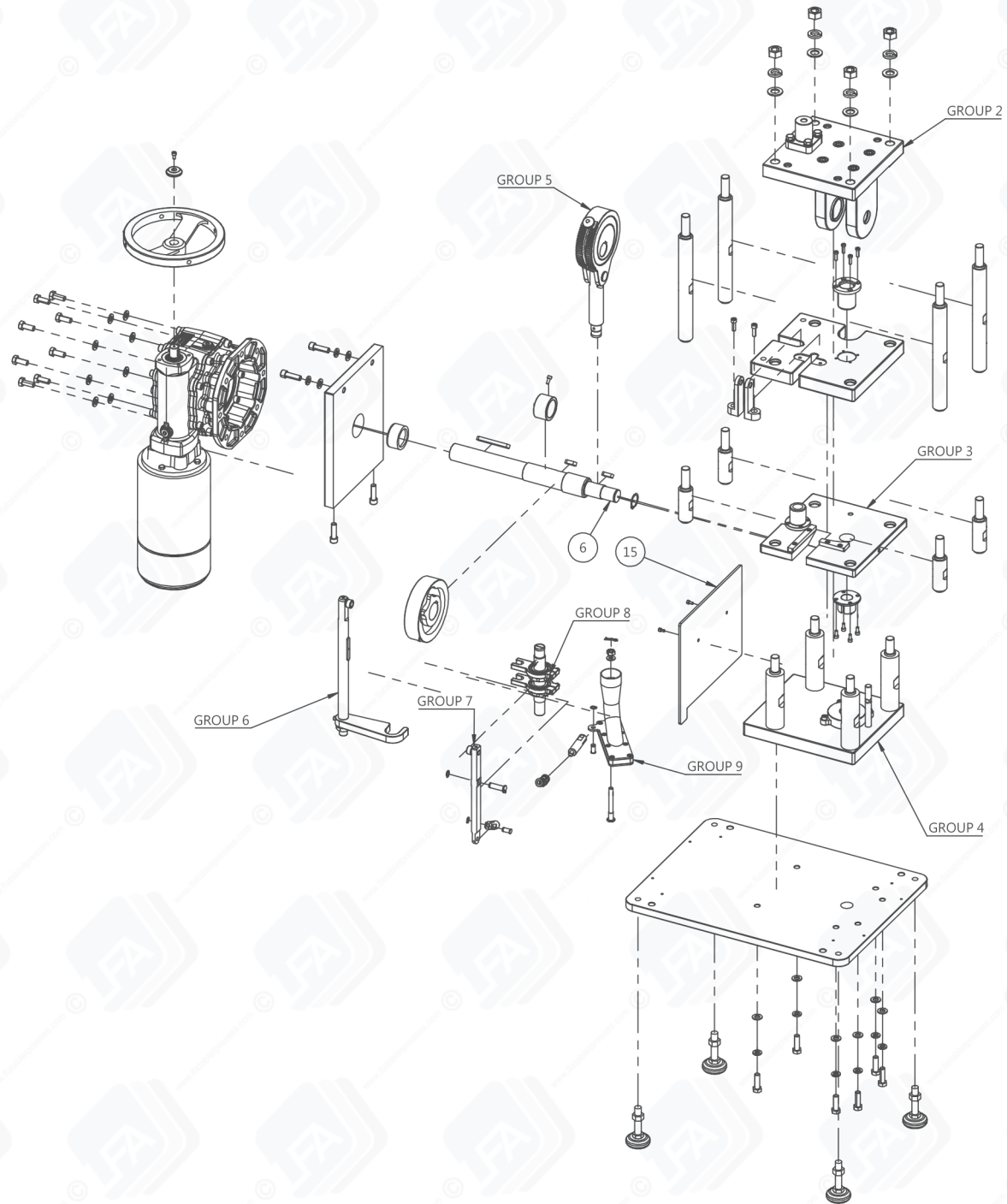

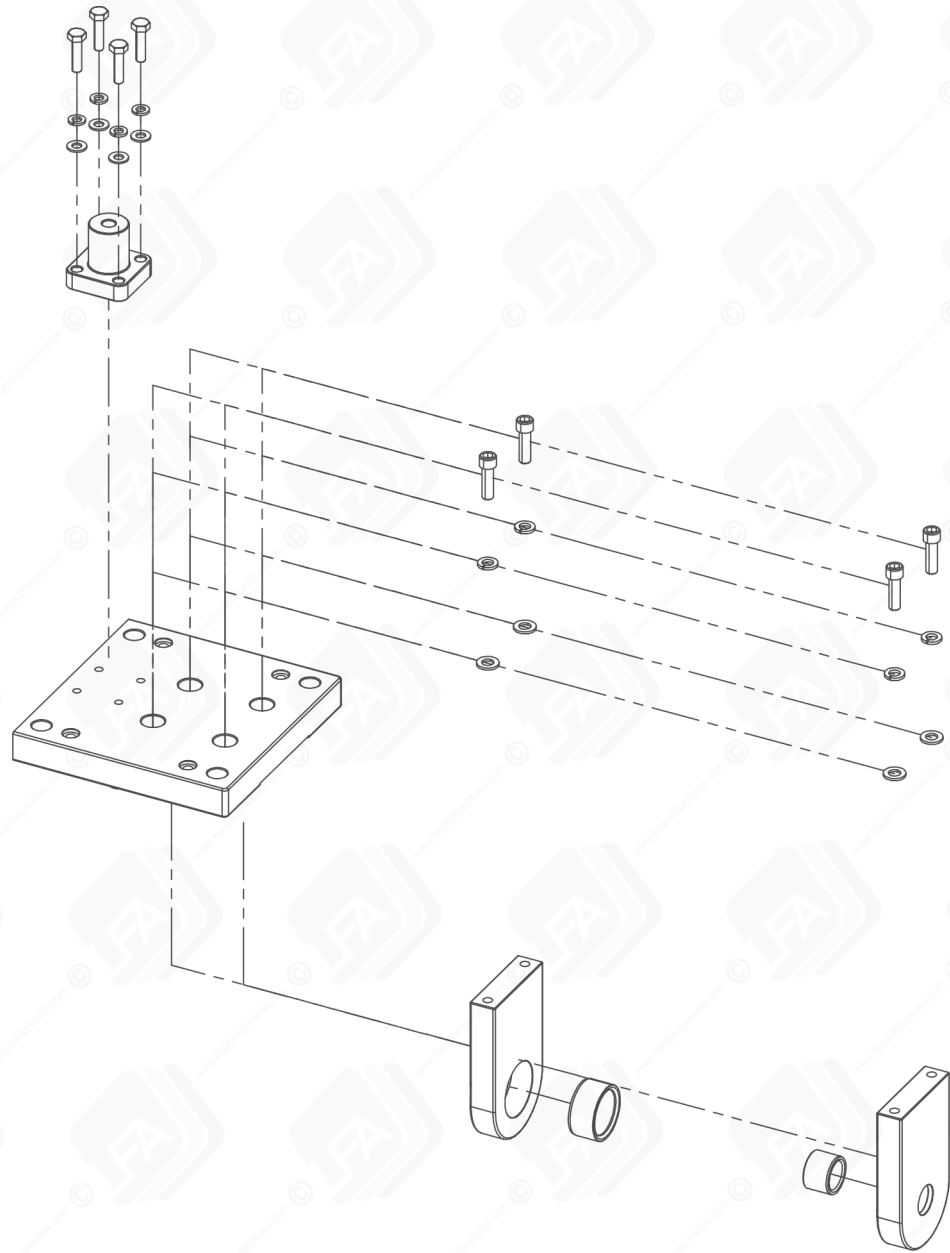
 www.lfamachines.com	Drawing Name	DTP 25 v2 Exploding Diagram Groups
	Product Name	DTP 25 v2
	Version	2.0
	Provided By	LFA Machines

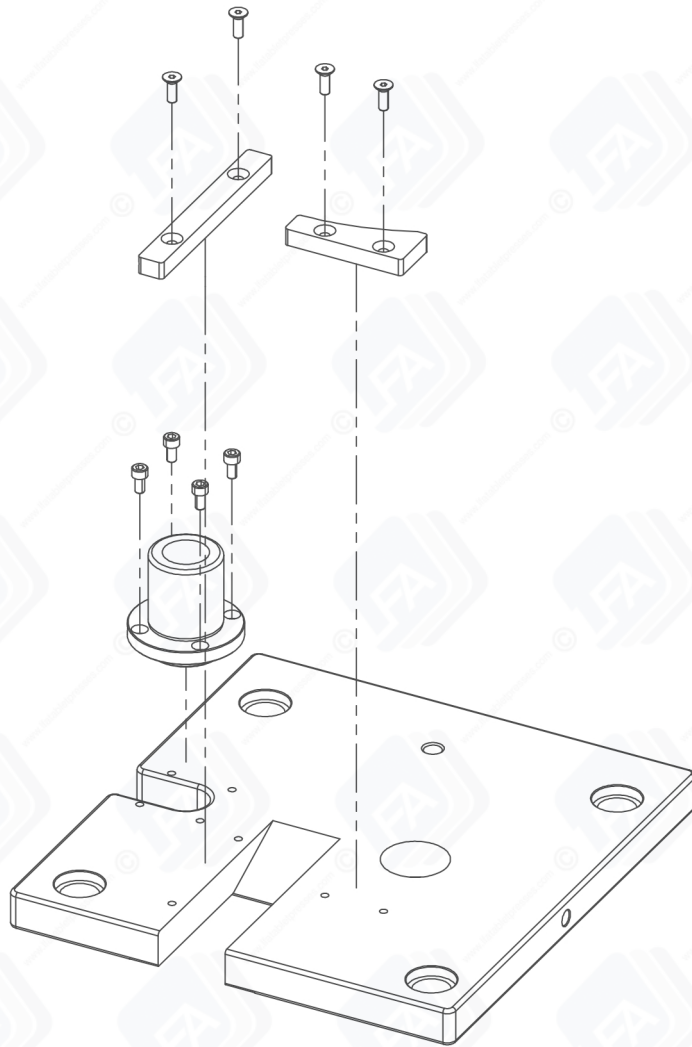


 www.lfamachines.com	Drawing Name DTP 25 v2 Exploding Diagram Group 1
	Product Name DTP 25 v2
	Version 2.0
	Provided By LFA Machines



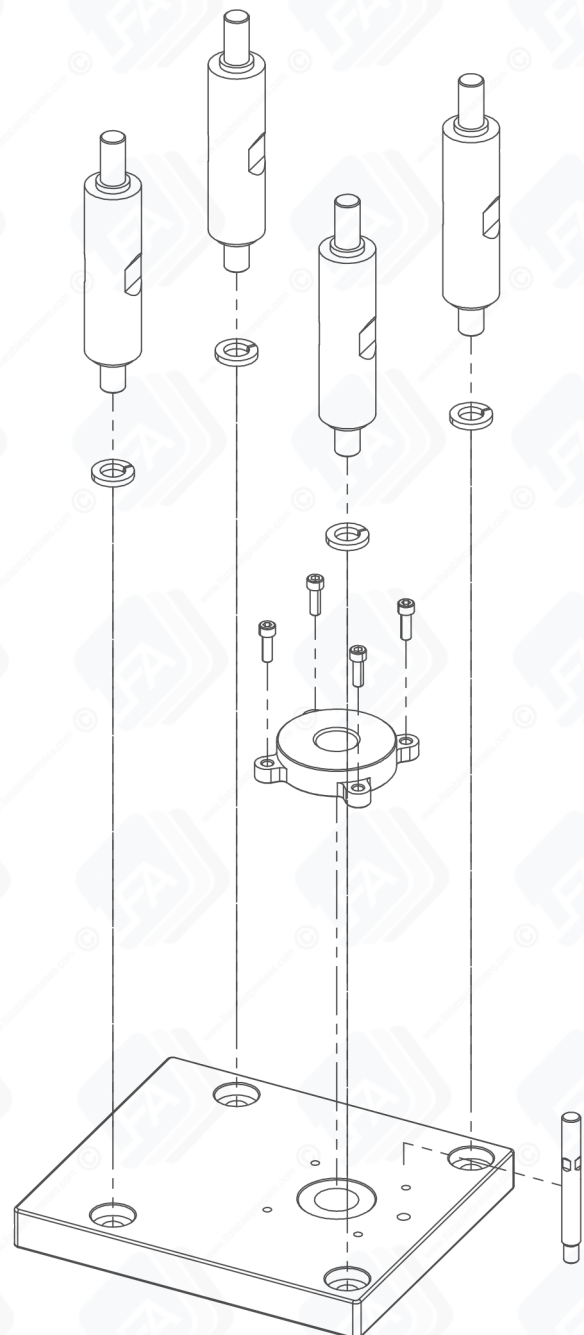
www.lfamachines.com

Drawing Name	DTP 25 v2 Exploding Diagram Group 2
Product Name	DTP 25 v2
Version	2.0
Provided By	LFA Machines



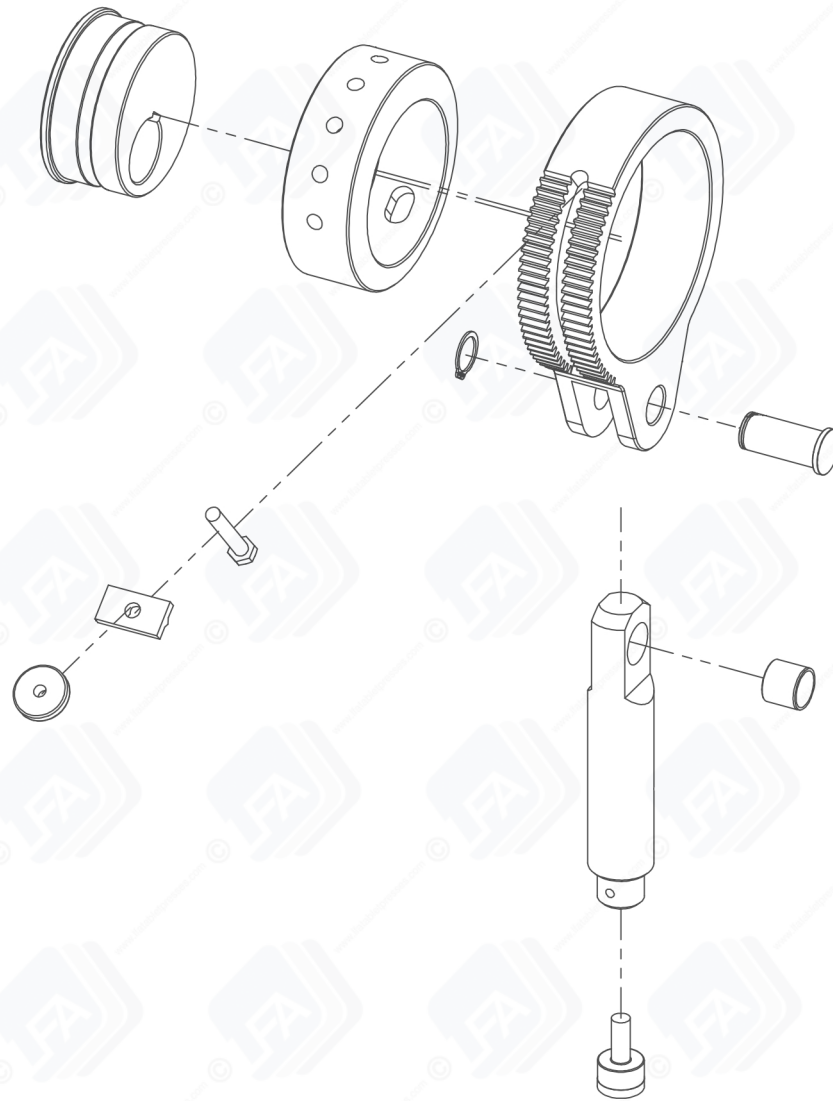
www.lfamachines.com

Drawing Name	DTP 25 v2 Exploding Diagram Group 3
Product Name	DTP 25 v2
Version	2.0
Provided By	LFA Machines



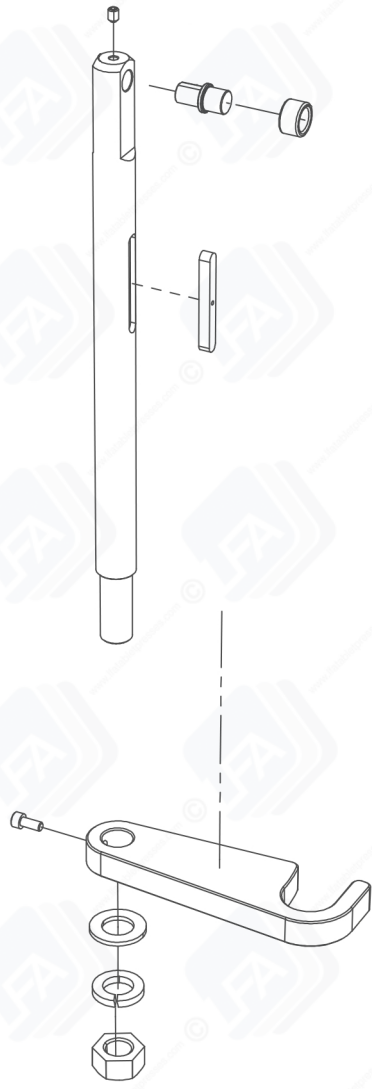
www.lfamachines.com

Drawing Name	DTP 25 v2 Exploding Diagram Group 4
Product Name	DTP 25 v2
Version	2.0
Provided By	LFA Machines



www.lfamachines.com

Drawing Name	DTP 25 v2 Exploding Diagram Group 5
Product Name	DTP 25 v2
Version	1.0
Provided By	LFA Machines



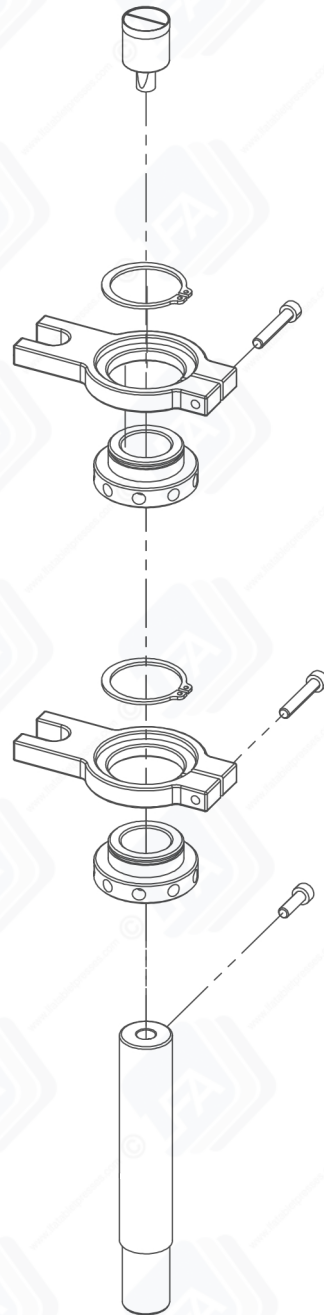
www.lfamachines.com

Drawing Name	DTP 25 v2 Exploding Diagram Group 6
Product Name	DTP 25 v2
Version	2.0
Provided By	LFA Machines



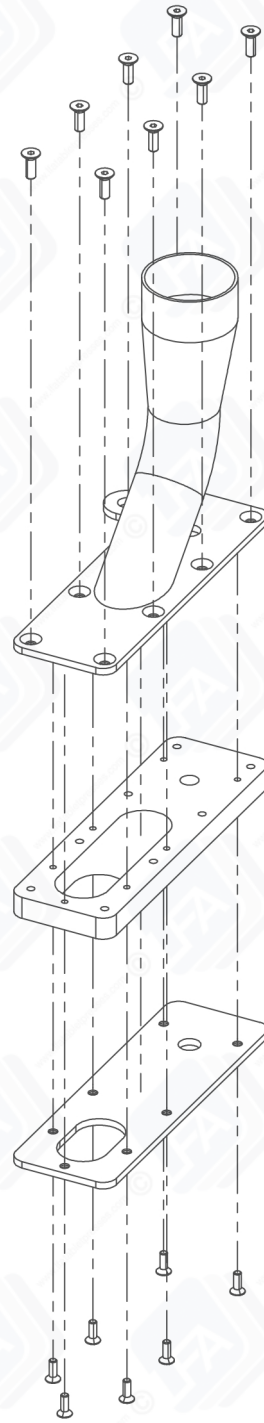
www.lfamachines.com

Drawing Name	DTP 25 v2 Exploding Diagram Group 7
Product Name	DTP 25 v2
Version	2.0
Provided By	LFA Machines



www.lfamachines.com

Drawing Name	DTP 25 v2 Exploding Diagram Group 8
Product Name	DTP 25 v2
Version	2.0
Provided By	LFA Machines



www.lfamachines.com

Drawing Name	DTP 25 v2 Exploding Diagram Group 9
Product Name	DTP 25 v2
Version	2.0
Provided By	LFA Machines



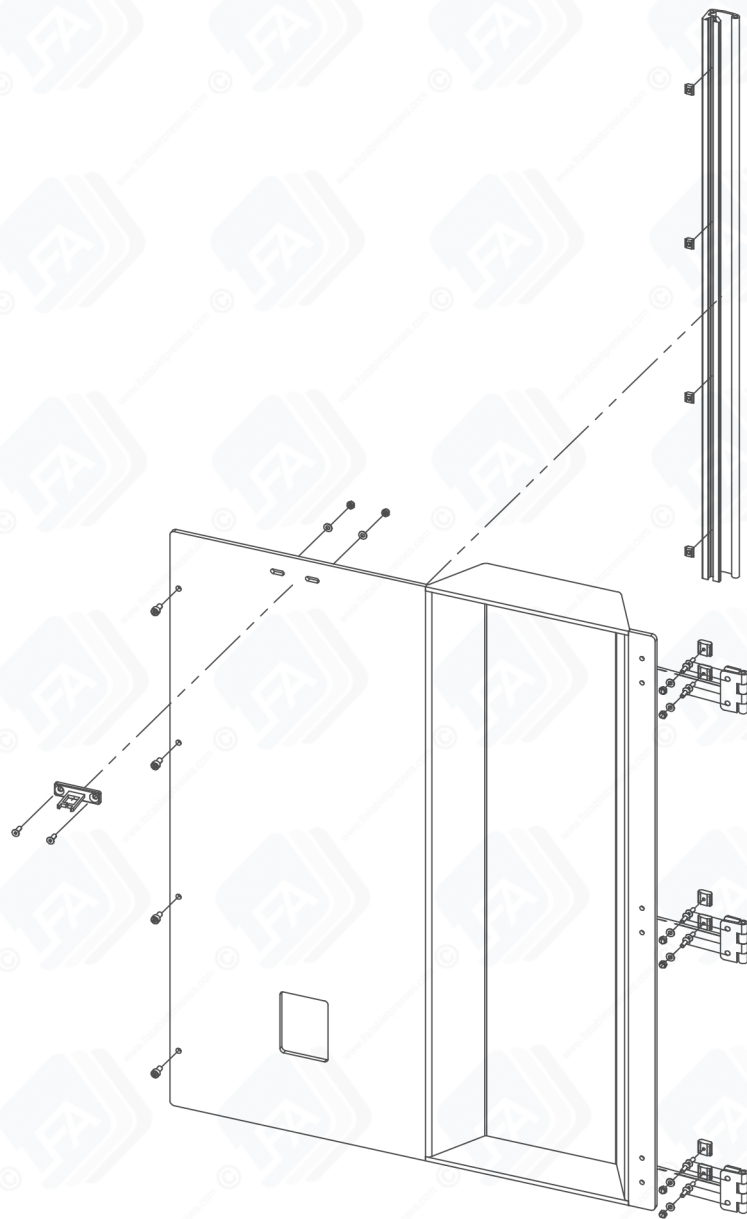
www.lfamachines.com

Drawing Name	DTP 25 v2 Exploding Diagram Group 10
Product Name	DTP 25 v2
Version	2.0
Provided By	LFA Machines



www.lfamachines.com

Drawing Name	DTP 25 v2 Exploding Diagram Group 11
Product Name	DTP 25 v2
Version	2.0
Provided By	LFA Machines



www.lfamachines.com

Drawing Name	DTP 25 v2 Exploding Diagram Group 12
Product Name	DTP 25 v2
Version	2.0
Provided By	LFA Machines