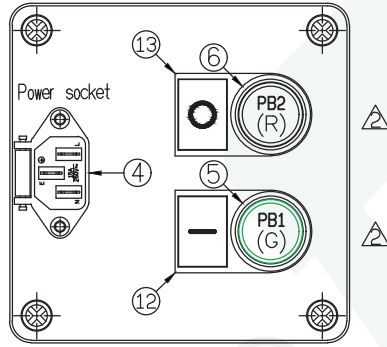
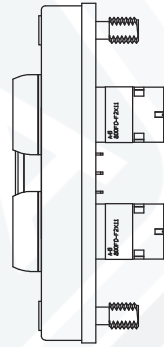


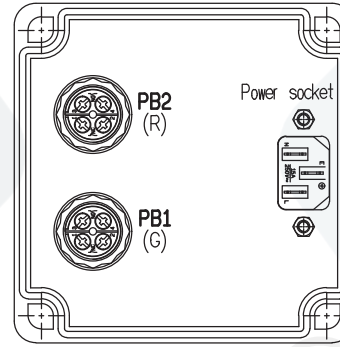
<Layout>_Top cover



Upper view

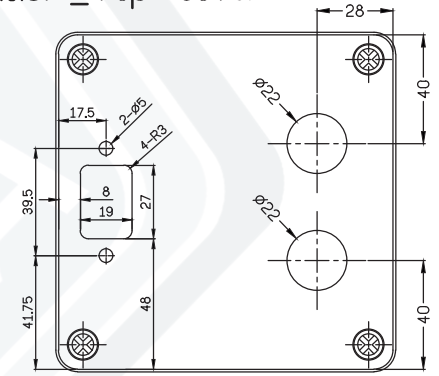


Side view



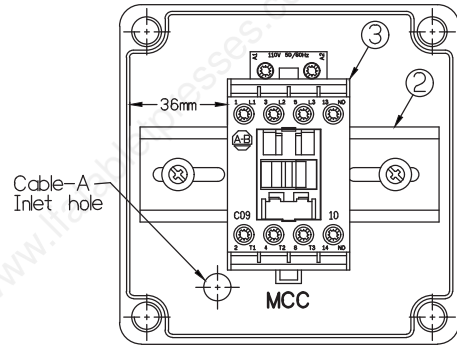
Back view

<Open hole>_Top cover

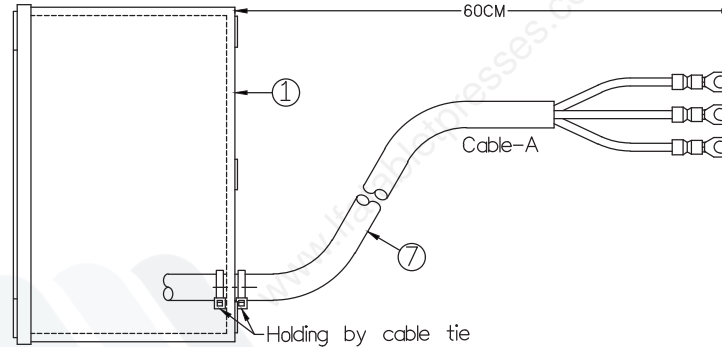


Upper view unit: mm

<Layout>_Box

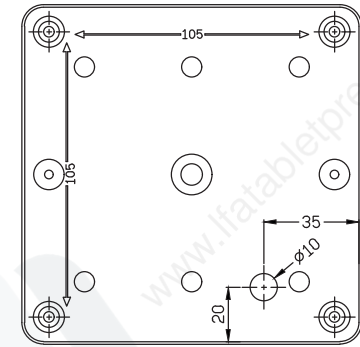


Upper view



Side view

<Open hole>_Box



Back view unit: mm

⑦	1010500022	Cable_PVC	1.25mm*3C,Black,HCM.N0125G03R.N	0.7M
⑥	1050900005	P.B.(R) ø22	A-B, 1a1b,300V,5A, 800FD-F4X11(G)	1
⑤	1050900006	P.B.(G) ø22	A-B, 1a1b,300V,5A, 800FD-F4X11(R)	1
④	1051500019	Power socket	3P, Male+cover, 6214CAP	1
③	1050700002	CONTACTOR	A-B, AC3 110V 50/60Hz, 100-C09KD10	1
②	1051500020	Steel rail	W:35mm, length:1M	11CM
①	1050100013	BOX	GLC125, 125x125x100mm	1
ITEM	Part number	Product name	Specification	QTY.

⑬	1051500030	Nameplate	ø22, mark " 0 "	1
⑫	1051500031	Nameplate	ø22, mark " I "	1
⑩	1010100033	Wire-PVC	16AWG*1C,Blue,UL1015 HCW.101516.B	116.5CM
⑨	1010100019	Wire-PVC	16AWG*1C,Brown,UL1015 HCW.101516.BR	14CM
⑧	1010100047	Wire-PVC	16AWG*1C,Y/G, UL1015 HCW.101516.YG	14CM
ITEM	Part number	Product name	Specification	QTY.



www.lfamachines.com

Drawing Name	TDP 6s v2 Wiring Diagram
Product Name	TDP 6s v2
Version	V1.1
Provided By	LFA Machines